

Polyester Modular Enclosures - NEMA 4X

PJ Series - Raised Lid Twist Latch Hinged Cover, Solid and Window Door



Order Panel Separately



Window Door



Twist Latch Detail

Application

- Designed for use as instrument enclosures, electric, hydraulic or pneumatic control housings, electrical junction boxes or terminal wiring enclosures.
- Provides outstanding insulation and protection where equipment may be hosed down or be very wet.
- Ideal in applications with high temperatures or highly corrosive environments.

Standards

- UL 508 Type 1, 2, 3, 4, 4X, 12 and 13
- CSA Type 1, 2, 3, 4, 4X, 12 and 13
- Complies with
 - NEMA Type 1, 2, 3, 4, 4X, 12 and 13
 - IEC 529, IP66

Construction

- Molded fiberglass polyester enclosure with matching cover is easily punched, cut, or drilled.
- Standard JIC sizes under 18" x 16".
- Threaded brass inserts are provided for optional inner panel or terminal kit mounting. Mounting hardware is included.
- Stainless steel butterfly type "twist latch" door fasteners.
- Door fasteners include a provision for padlocking.
- Enclosures are available with bonded polycarbonate viewing windows.
- Door is supported with a continuous stainless steel hinge.
- Captive oil resistant gasket provides a positive seal.

- Threaded brass inserts are provided for mounting feet to the rear of the enclosure.
- Stainless steel mounting brackets and hardware are provided for mounting to the rear of the enclosure.
- Operating temperatures between 130°C and -40°C (266°F to -40°F).
- Impact index of 6.78J (5 ft/lb).
- For corrosion resistance information, please refer to table in the Technical Information section...see page 399.

Finish

- Fiberglass polyester material has a medium gray finish.
- Optional inner panels are available in white powder coated finished steel or unfinished aluminum.

Accessories

- Painted steel inner panels...see page 130
- PJ swing panel...see page 131
- Unfinished aluminum inner panels...see page 130
- Terminal kit assemblies...see page 131

Solid Cover Part No.	Window Cover Part No.	Overall Dimensions			Panel Size			Center				
		A	B	C	D	E	F	G	H	J	S	Z
PJ664RT	PJ664RTW	6.10	6.10	4.18	4.88	4.88	5.26	5.01	5.01	3.52	4.25	4.25
PJ864RT	PJ864RTW	8.00	6.12	4.13	6.75	4.88	5.21	6.89	5.01	3.47	6.25	4.25
PJ1086RT	PJ1086RTW	10.13	8.26	6.13	8.75	6.88	7.21	8.89	7.01	5.47	8.25	6.25
PJ12106RT	PJ12106RTW	12.13	10.26	6.13	10.75	8.88	7.21	10.89	9.01	5.47	10.25	8.25
PJ14126RT	PJ14126RTW	14.13	12.26	6.13	12.75	10.88	7.21	12.89	11.01	5.47	12.25	10.25
PJ16148RT	PJ16148RTW	16.27	14.40	8.13	14.75	12.88	9.21	14.89	13.01	7.47	14.25	12.25
PJ18168RT	PJ18168RTW	18.40	16.40	8.13	16.88	14.88	9.21	16.97	14.97	7.47	16.25	14.25
PJ20168RT	PJ20168RTW	20.00	16.00	8.13	18.44	14.44	9.21	18.54	14.54	7.47	17.81	13.81
PJ24208RT	PJ24208RTW	24.00	20.00	8.13	21.00	17.00	8.65	22.75	18.75	7.47	19.25	15.25
PJ24248RT	PJ24248RTW	24.00	24.00	8.13	21.00	21.00	8.65	22.75	22.75	7.47	19.25	19.25
PJ30248RT	PJ30248RTW	30.00	24.00	8.13	27.00	21.00	8.65	28.75	22.75	7.47	25.25	19.25
PJ242010RT	PJ242010RTW	24.00	20.00	10.13	21.00	17.00	10.65	22.75	18.75	9.47	19.25	15.25
PJ242410RT	PJ242410RTW	24.00	24.00	10.13	21.00	21.00	10.65	22.75	22.75	9.47	19.25	19.25
PJ302410RT	PJ302410RTW	30.00	24.00	10.13	27.00	21.00	10.65	28.75	22.75	9.47	25.25	19.25

For aluminum panel...see page 130.

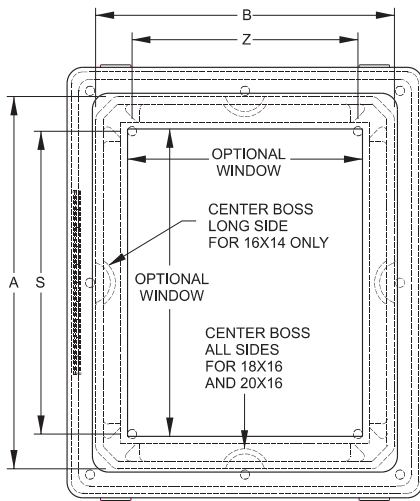
Technical references and DXF downloads available at www.hammfg.com

All dimensions in inches unless specified otherwise

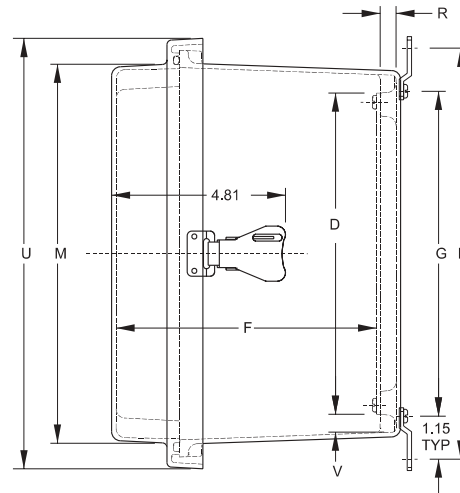
Corrosion Resistant Enclosures Junction Boxes/JIC Enclosures

Polyester Modular Enclosures - NEMA 4X

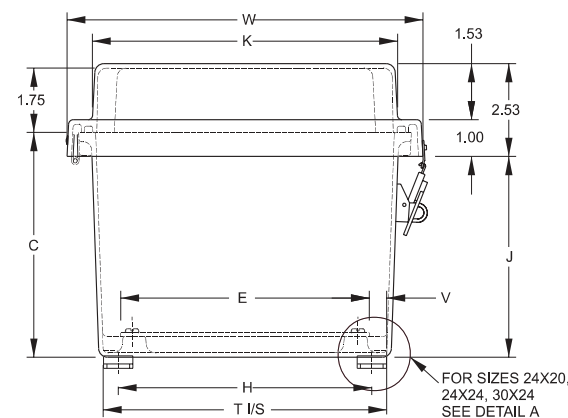
PJ Series - Raised Lid Twist Latch Hinged Cover, Solid and Window Door



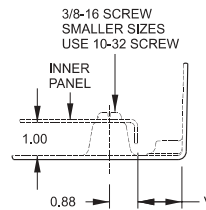
Top View



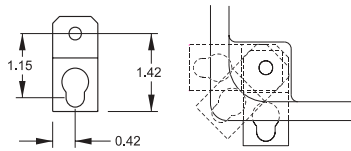
Side View



Front View

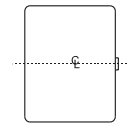


Detail A

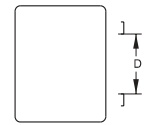


Optional Mounting Feet Locations

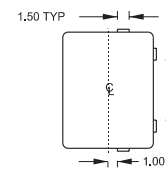
Latch Locations



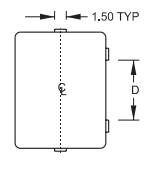
For use on
6x6x4
8x6x4
10x8x6



For use on
12x10x6 D=6.75
14x12x6 D=7.25
16x14x8 D=7.25



For use on
18x16x8 D=5.25
20x16x8 D=9.25



For use on
24x20 D=13.75
24x24 D=13.75
30x24 D=18.75

Thermal Index
130°C to -40°C (266°F to -40°F)
Impact Index
6.78J (5 ft/lb)

Corrosion Resistant Enclosures
Junction Boxes/JIC Enclosures

Solid Cover Part No.	Window Cover Part No.	Cover Dimensions								Panel Part No.	Optional Window Dim. HxW	Center Emboss
		L	T	K	M	U	W	R	V			
PJ664RT	PJ664RTW	7.32	5.83	6.08	6.08	7.69	7.69	0.443	0.49	14R0505	4.25x4.25	none
PJ864RT	PJ864RTW	9.19	5.85	6.11	7.98	9.59	7.71	0.443	0.50	14R0705	6.25x4.25	none
PJ1086RT	PJ1086RTW	11.19	7.85	8.44	10.32	11.73	9.85	0.443	0.50	14R0907	8.37x6.5	none
PJ12106RT	PJ12106RTW	13.19	9.85	10.45	12.32	13.73	11.85	0.443	0.50	14R1109	10.37x8.5	none
PJ14126RT	PJ14126RTW	15.19	11.85	12.45	14.32	15.73	13.85	0.443	0.50	14R1311	12.37x10.5	none
PJ16148RT	PJ16148RTW	17.19	13.71	13.86	15.73	17.87	15.99	0.443	0.50	14R1513	13.00x11.00	long sides
PJ18168RT	PJ18168RTW	19.28	15.72	15.86	17.86	20.00	18.00	0.443	0.50	P1868	14.00x12.00	all sides
PJ20168RT	PJ20168RTW	20.84	15.31	15.43	19.43	21.59	17.59	0.443	0.52	P2068	15.00x11.00	all sides
PJ24208RT	PJ24208RTW	25.06	19.73	20.16	24.16	25.59	21.59	1.00	1.38	18P2117	16.00x12.00	none
PJ24248RT	PJ24248RTW	25.06	23.73	24.16	24.16	25.59	25.59	1.00	1.38	18P2121	16.00x16.00	none
PJ30248RT	PJ30248RTW	31.06	23.73	24.16	30.16	31.59	25.59	1.00	1.38	18P2721	23.00x17.00	none
PJ242010RT	PJ242010RTW	25.06	19.70	20.16	24.16	25.59	21.59	1.00	1.36	18P2117	16.00x12.00	none
PJ242410RT	PJ242410RTW	25.06	23.70	24.16	24.16	25.59	25.59	1.00	1.36	18P2121	16.00x16.00	none
PJ302410RT	PJ302410RTW	31.06	23.70	24.16	30.16	31.59	25.59	1.00	1.36	18P2721	23.00x17.00	none